



BAFFLE

Panel with polyester internal padding with Snowsound® technology variable density. Polyester covering in Trevira CS® Fabric. Equipped with kit for ceiling suspended panels. Panel can be hung in either horizontal or vertical orientation. Cylindrical fasteners to be positioned alongside top edge of the panel.



- Polyester internal padding with Snowsound technology, polyester covering in Trevira CS® fabric
- Single material and 100% recyclable
- Eco friendly - Greenguard Gold
- Durable, tackable double-sided surface
- Patented variable density composition
- Class A sound absorption with NRC 1.0 (ISO 354/ASTM C423/ISO 11654)
- Absorbs 94% of human speech frequencies
- Class A fire and smoke safety (UL 723/ASTM E84)
- CAL 133, 117 pass
- Sleek profile at only 1.4" thick
- Ceiling suspended
- CE certified for ceiling application

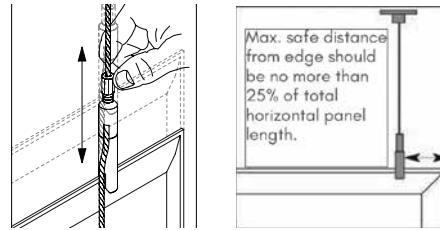
BAFFLE 24"x 24" - COMPLETE KIT

STANDARD COLORS	COLOR	PART #	STANDARD COLORS	COLOR	PART #	SPECIAL ORDER	COLOR	PART #	SPECIAL ORDER	COLOR	PART #
	WHITE	40023058		OLIVE GREEN	40023066		RED	40023065		DARK TEAL	40023128
	SILVER GRAY	40023059		BEIGE	40023063		SUN YELLOW	40023064			
	CARROT ORANGE	40023062		DOVE GRAY	40023061		RUSTIC BRICK	40023119			
	CHARCOAL GRAY	40023060		* BLUE Limited stock availability (D/C)	40023068		SLATE BLUE	40023126			

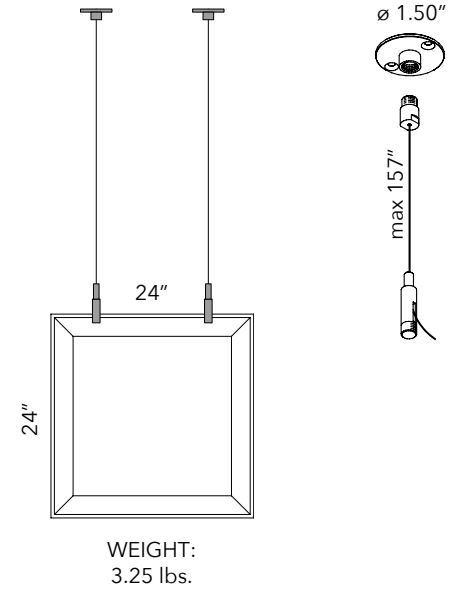
FOR ALL PANEL SIZES, SPECIAL ORDER COLORS REQUIRE:

- Minimum order quantity
- Lead time up to 10-12 weeks

Kit includes: (1) 24 x 24 inch panel, (2) chrome ceiling plates, (2) steel cables, (2) adjustable cable locks, (2) panel fasteners



ADJUSTABLE CABLE LOCK, ADJUSTS THE HEIGHT UP TO 157"



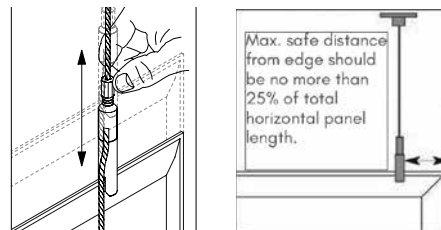
BAFFLE 24"x 48" - COMPLETE KIT

STANDARD COLORS	COLOR	PART #	STANDARD COLORS	COLOR	PART #	SPECIAL ORDER	COLOR	PART #	SPECIAL ORDER	COLOR	PART #
	WHITE	40023070		OLIVE GREEN	40023078		RED	40023077		DOVE GRAY	40023073
	SILVER GRAY	40023071		BEIGE	40023075		RUSTIC BRICK	40023129			
	CARROT ORANGE	40023074		CHARCOAL GRAY	40023072		SLATE BLUE	40023120			
	SUN YELLOW	40023076					DARK TEAL	40023121			

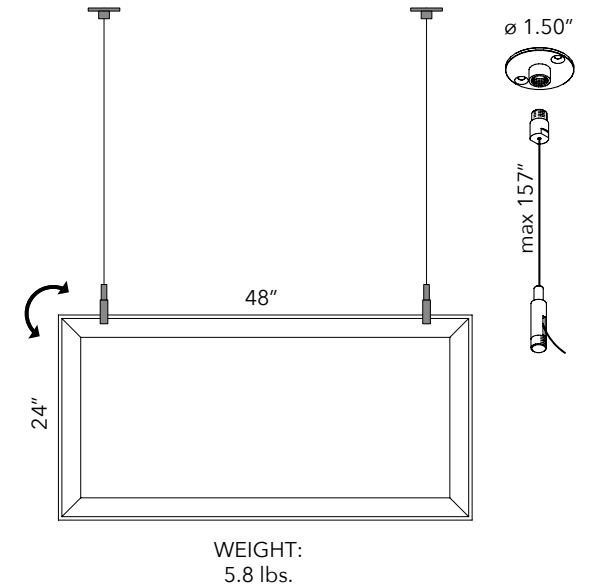
FOR ALL PANEL SIZES, SPECIAL ORDER COLORS REQUIRE:

- Minimum order quantity
- Lead time up to 10-12 weeks

Kit includes: (1) 24 x 48 inch panel, (2) chrome ceiling plates, (2) steel cables, (2) adjustable cable locks, (2) panel fasteners














ADJUSTABLE CABLE LOCK, ADJUSTS THE HEIGHT UP TO 157"



PLEASE NOTE: Please call your local representative for special order color inquiries/ stock levels.

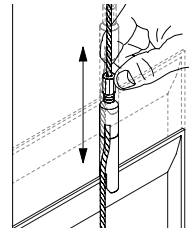
BAFFLE 24"x 63" - COMPLETE KIT

STANDARD COLORS	COLOR	PART #	STANDARD COLORS	COLOR	PART #	SPECIAL ORDER	COLOR	PART #
	WHITE	40023082		SUN YELLOW	40023088		RUSTIC BRICK	40023122
	SILVER GRAY	40023083		OLIVE GREEN	40023090		SLATE BLUE	40023124
	CHARCOAL GRAY	40023086		BEIGE	40023087		DARK TEAL	40023125
	CARROT ORANGE	40023084		DOVE GRAY	40023085			
	RED	40023089		* BLUE Limited stock availability (D/C)	40023092			

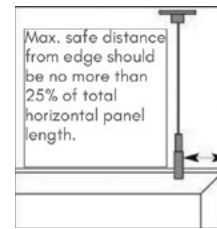
FOR ALL PANEL SIZES, SPECIAL ORDER COLORS REQUIRE:

- Minimum order quantity
- Lead time up to 10-12 weeks

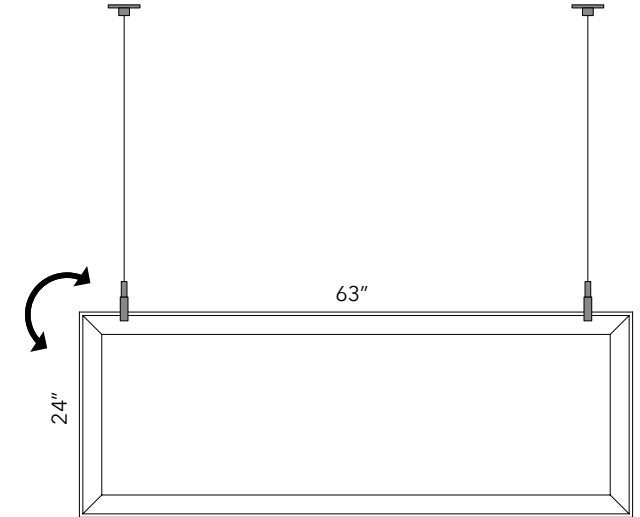
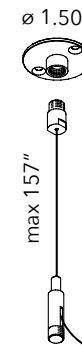
Kit includes: (1) 24 x 63 inch panel, (2) chrome ceiling plates, (2) steel cables, (2) adjustable cable locks, (2) panel fasteners



ADJUSTABLE CABLE LOCK, ADJUSTS THE HEIGHT UP TO 157"



Max. safe distance from edge should be no more than 25% of total horizontal panel length.



WEIGHT:
7.45 lbs.

PLEASE NOTE: Please call your local representative for special order color inquiries/ stock levels.

